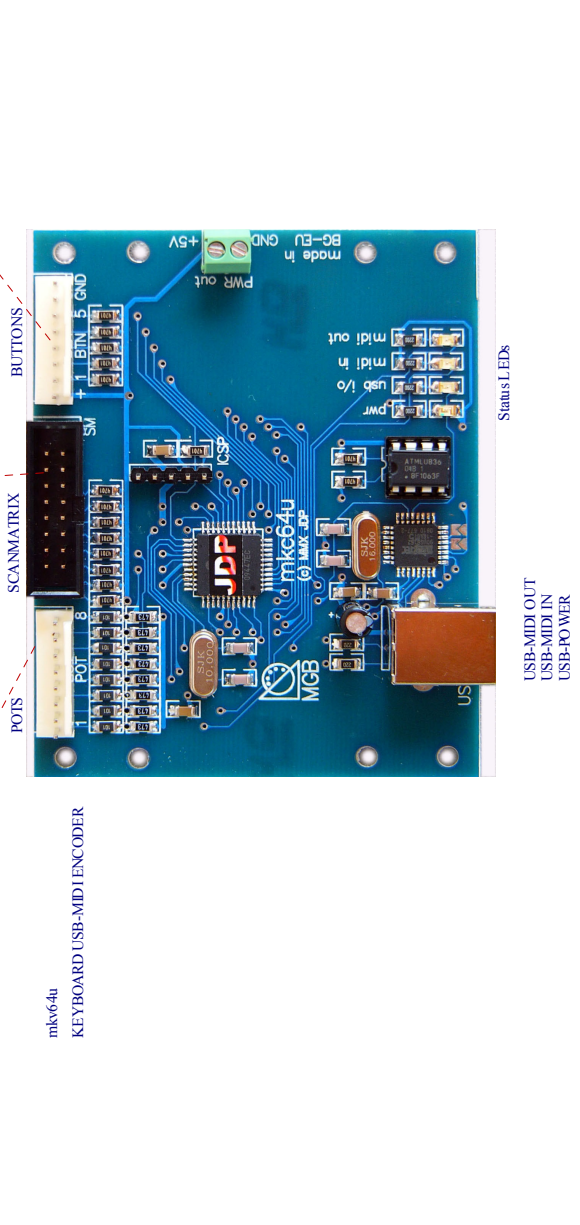
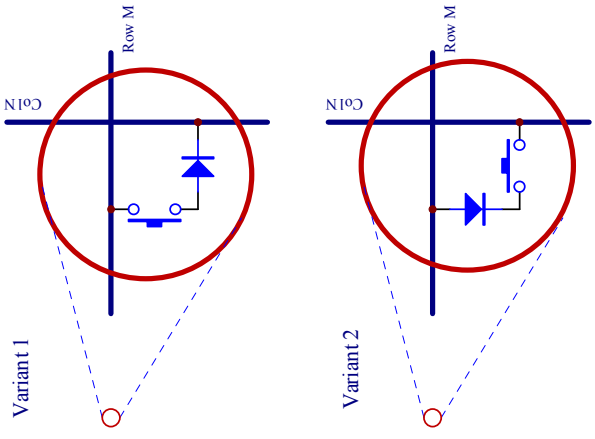
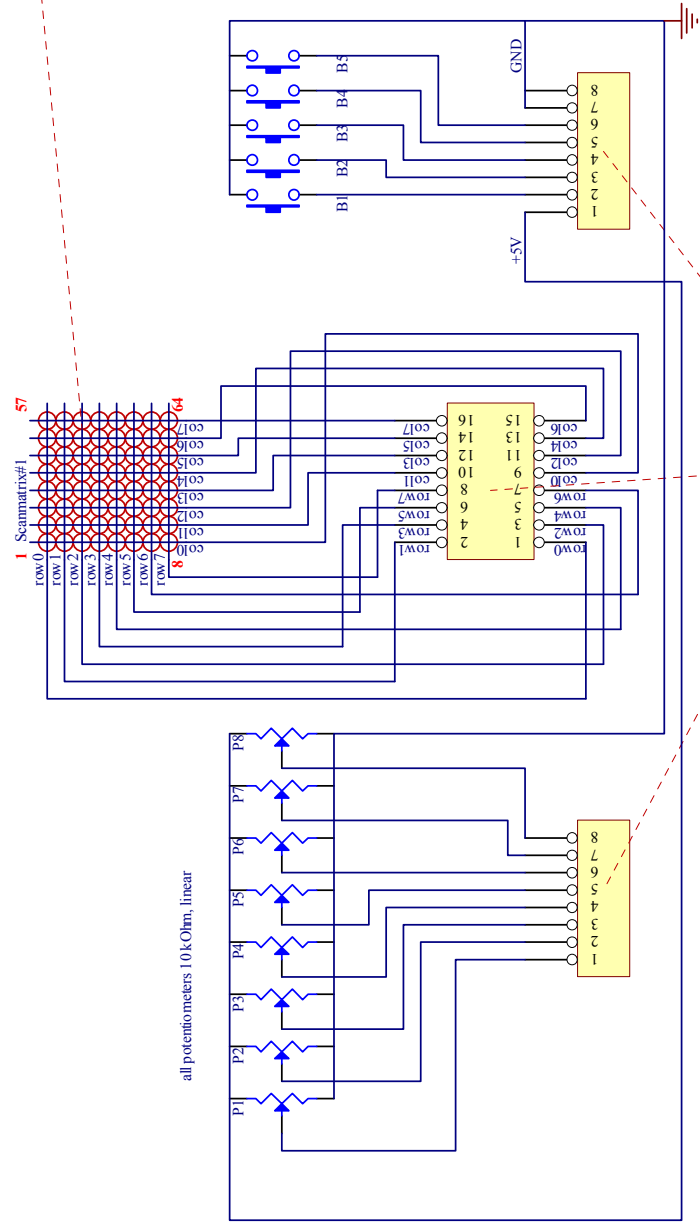


Each scanpoint shown as small red circle consists of serially connected contact and diode. Both possible arrangement variants are shown below. □



Title		(c)MMX_JDP mks64u - system wiring diagram
Size	Number	Revision
D		
Date:	29.4.2010 r.	
File:	G:\pic\MKV64U-SYSTEMWIRINGSCHEMATA\mks64u By:	