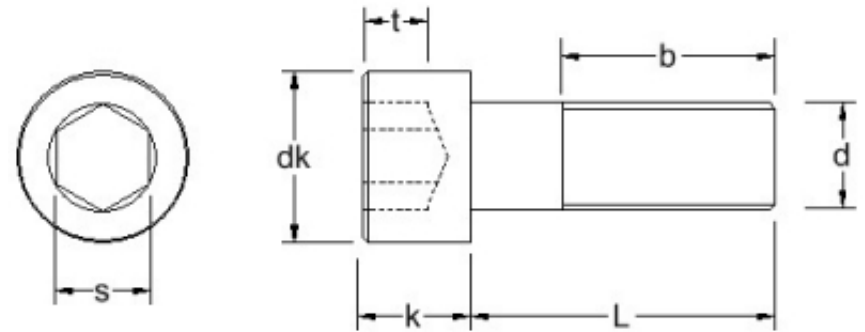



Further Information

Diameter (d)	Pitch	dk	k (max)	s	t (min)	b (max)
M1.4	0.3	2.6	1.4	1.3	0.6	14.8
M1.6	0.35	3.0	1.6	1.5	0.7	15
M2	0.4	3.8	2.0	1.5	1.0	16
M2.5	0.45	4.5	2.5	2	1.1	17
M3	0.5	5.5	3	2.5	1.3	18
M3.5	0.6	6.0	3.5	2.5	1.6	20
M4	0.7	7.0	4	3	2.0	20
M5	0.8	8.5	5	4	2.5	22
M6	1.0	10	6	5	3	24
M8	1.25	13	8	6	4	28
M10	1.5	16	10	8	5	32
M12	1.75	18	12	10	6	36
M14	2.0	21	14	12	7	40
M16	2.0	24	16	14	8	44
M18	2.5	27	18	14	9	48
M20	2.5	30	20	17	10	52
M22	2.5	33	22	17	11	56
M24	3.0	36	24	19	12	60
M27	3.0	40	27	19	13.5	66
M30	3.5	45	30	22	15.5	72



 PRECISION TECHNOLOGY SUPPLIES <small>Stainless Steel Industrial Fastenings & Precision Turned Parts</small>	Part No. A9120320
www.pts-uk.com +44 (0)1342 410758	M3 X 20 SOCKET CAP SCREW DIN 912 A2 ST/ST
Information in this drawing is provided for reference only	