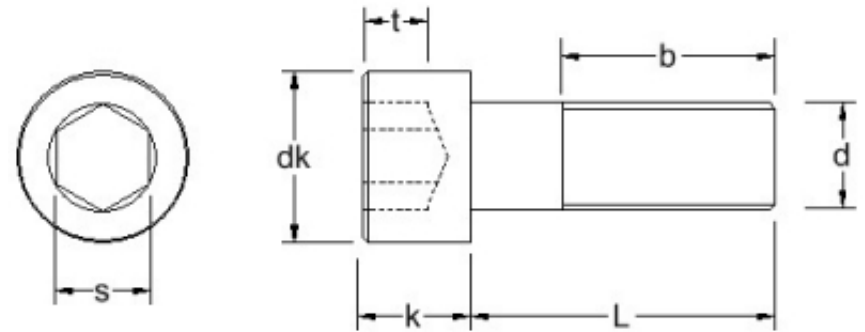



## Further Information

Diameter (d)	Pitch	dk	k (max)	s	t (min)	b (max)
M1.4	0.3	2.6	1.4	1.3	0.6	14.8
M1.6	0.35	3.0	1.6	1.5	0.7	15
M2	0.4	3.8	2.0	1.5	1.0	16
M2.5	0.45	4.5	2.5	2	1.1	17
M3	0.5	5.5	3	2.5	1.3	18
M3.5	0.6	6.0	3.5	2.5	1.6	20
M4	0.7	7.0	4	3	2.0	20
M5	0.8	8.5	5	4	2.5	22
M6	1.0	10	6	5	3	24
M8	1.25	13	8	6	4	28
M10	1.5	16	10	8	5	32
M12	1.75	18	12	10	6	36
M14	2.0	21	14	12	7	40
M16	2.0	24	16	14	8	44
M18	2.5	27	18	14	9	48
M20	2.5	30	20	17	10	52
M22	2.5	33	22	17	11	56
M24	3.0	36	24	19	12	60
M27	3.0	40	27	19	13.5	66
M30	3.5	45	30	22	15.5	72



 <b>PRECISION TECHNOLOGY SUPPLIES</b> <small>Stainless Steel Industrial Fastenings &amp; Precision Turned Parts</small>	<b>Part No. A91202525</b>
<a href="http://www.pts-uk.com">www.pts-uk.com</a> +44 (0)1342 410758	<b>M2.5 X 25 SOCKET CAP SCREW</b> <b>DIN 912 A2 ST/ST</b>
Information in this drawing is provided for reference only	